

USE THESE INSTRUCTIONS FOR METAL INTERIOR LINED SIDE-BY-SIDE REFRIGERATORS ONLY

Installation Instructions

Bracket Mount Instructions WR30X10093 & WR30X10102

Questions? Call 1-800-GE-CARES (1-800-432-2737)



DISCONNECT POWER TO THE REFRIGERATOR BEFORE BEGINNING INSTALLATION

Before you Begin:

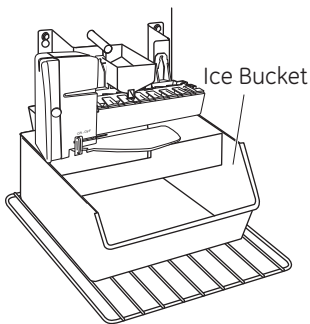
Read these instructions completely and carefully. **Wait 5 minutes** after the power has been disconnected before beginning the installation procedure.

Remove items from the freezer to safely allow access for the removal of the existing icemaker and the installation of the new icemaker.

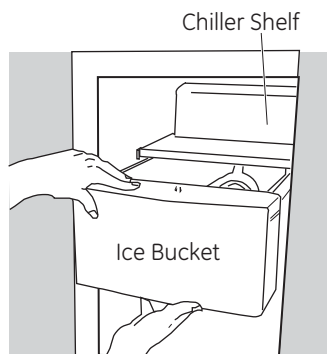
Tools Needed: Phillips head screwdriver
Flatblade screwdriver 1/4" Hex head driver

These instructions apply to metal interior lined side-by-side refrigerators only. For Plastic interior lined side-by-side refrigerators refer to page 3. For top-freezer refrigerators refer to page 5. For Monogram refrigerators, refer to page 7.

STEP 1 REMOVE THE ICE BUCKET & CHILLER SHELF (IF APPLICABLE)



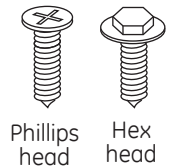
Non-Dispenser Side-By-Side Bucket



Dispenser Side-By-Side Bucket

STEP 2 REMOVE THE EXISTING ICEMAKER

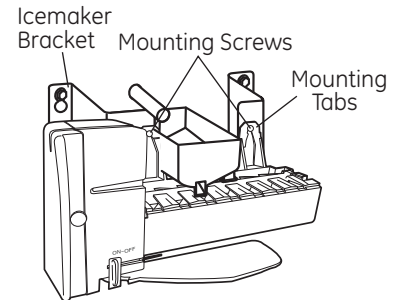
The icemaker will be attached to the icemaker bracket with a Phillips head or Hex head screws.



- Using the appropriate screwdriver, loosen the 2 mounting screws until the screw heads extend about 1/2" (13mm) from the icemaker bracket.

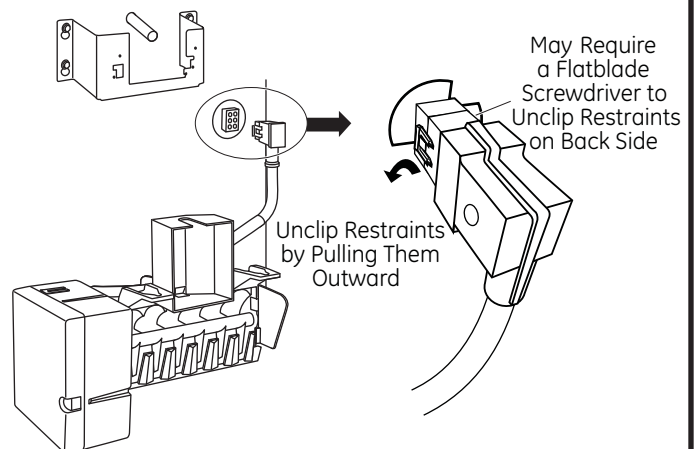
NOTE: Do not completely remove the screws.

- Slide the icemaker upwards so that the screws are in the wide part of the mounting tab. Pull the icemaker away from the icemaker bracket.



(Appearance may vary)

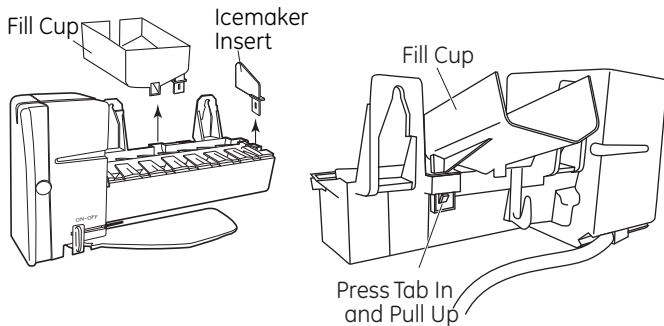
- To unplug the icemaker, locate the restraints on each side of the plug. Unclip the restraints by pulling outward.



- Unplug the icemaker from the socket located on the rear wall of the freezer.

STEP 3 REMOVE FILL CUP AND ICEMAKER INSERT

- Remove the fill cup and icemaker insert from the old icemaker.
- Discard the old icemaker.

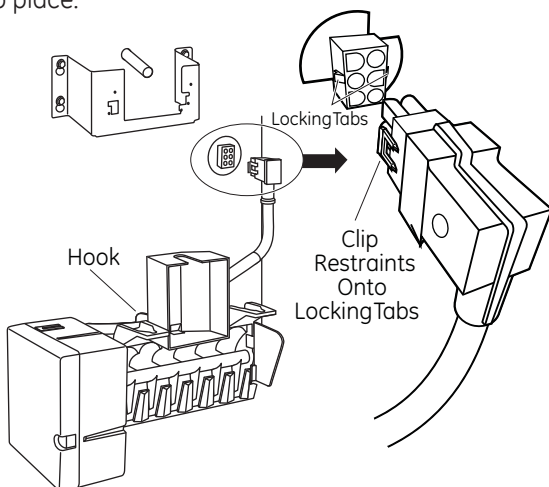


STEP 4 INSTALL FILL CUP AND ICEMAKER INSERT INTO NEW ICEMAKER

- If you received a NEW fill cup with your icemaker install the fill cup now.
- If you did not receive a new fill cup, reinstall the fill cup from the old icemaker.
- Install the icemaker insert into the new icemaker.

STEP 5 PLUG IN THE ICEMAKER

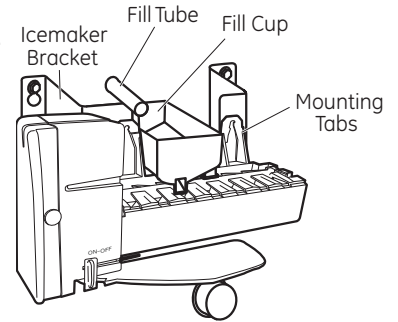
Holding the icemaker in place, insert the icemaker power cord plug into the socket, making sure that the prongs and holes are matched. Press the plug firmly into the socket. Lock the plug in place by clipping the restraints onto each side of the plug. Make sure the restraints click into place.



NOTE: The power cord **SHOULD NOT** be placed in the hook on the back of the icemaker.

STEP 6 MOUNT THE ICEMAKER

- Lift the icemaker up and hang it on the icemaker bracket. Make sure the fill tube goes into the fill cup opening. Secure the icemaker to the bracket with the two screws and install as shown.



NOTE: It is critical that the fill tube is positioned into the fill cup opening.

(Appearance may vary)

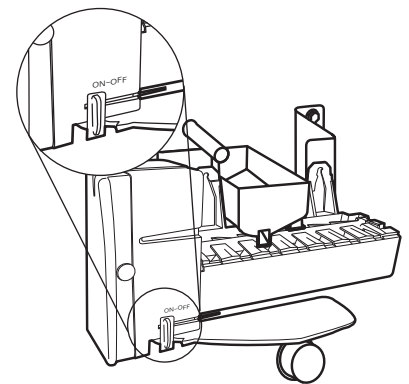
Make Sure:

- The power cord is still firmly in the socket.
- The fill tube extends into the fill cup opening at the back of the icemaker.
- The icemaker is secured to the bracket.
- The icemaker is level side to side and front to back.

STEP 7 COMPLETE THE INSTALLATION

- Reconnect power to the refrigerator.
- Set the icemaker power switch to the ON position.
- Make sure that the icemaker power cord is currently plugged in.
- Replace the ice bucket and chiller shelf (if applicable). Return any items that were removed to the freezer.

It may take several hours for the freezer to reach the selected temperature and for ice production to begin.



Congratulations! You have completed the installation of your new GE electronic icemaker. If you have any further issues with the icemaker or your refrigerator, please call **1-800-GE-CARES** (1-800-432-2737) for additional help or information.

Thank you for choosing GE Appliances.

USE THESE INSTRUCTIONS FOR PLASTIC INTERIOR LINED SIDE-BY-SIDE REFRIGERATORS ONLY

Installation Instructions

Bracket Mount Instructions WR30X10093 & WR30X10102

Questions? Call 1-800-GE-CARES (1-800-432-2737)

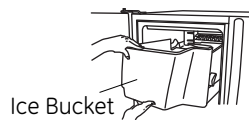
WARNING



DISCONNECT POWER TO THE REFRIGERATOR BEFORE BEGINNING INSTALLATION

These instructions apply to plastic interior lined side-by-side refrigerators only. For metal interior lined side-by-side units, refer to page 1. For top-freezer units refer to page 5. For Monogram refrigerators, refer to page 7.

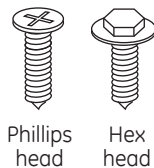
STEP 1 REMOVE THE ICE BUCKET



STEP 2 REMOVE THE EXISTING ICEMAKER

The icemaker will be attached to the icemaker bracket with Phillips head or Hex head screws.

- Using the appropriate screwdriver, loosen and remove the 2 mounting screws.

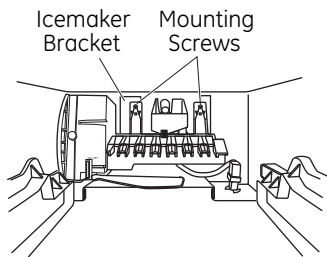


Phillips head Hex head

NOTE: Remove screws completely.

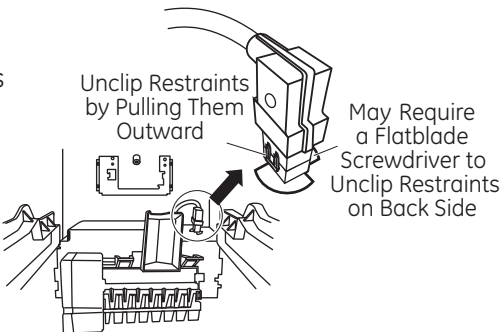
If screws fall into the icemaker they can be retrieved when icemaker has been removed.

- Slide the icemaker up and out from the bracket.



- To unplug icemaker, locate restraints on each side of plug. Unclip the restraints by pulling outward.

- Unplug icemaker from socket located on the top of auger motor housing.



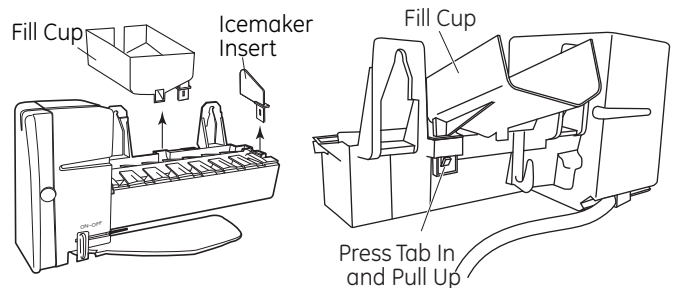
Before you Begin: Read these instructions completely and carefully. **Wait 5 minutes** after the power has been disconnected before beginning the installation procedure.

Remove items from the freezer to safely allow access for the removal of the existing icemaker and the installation of the new icemaker.

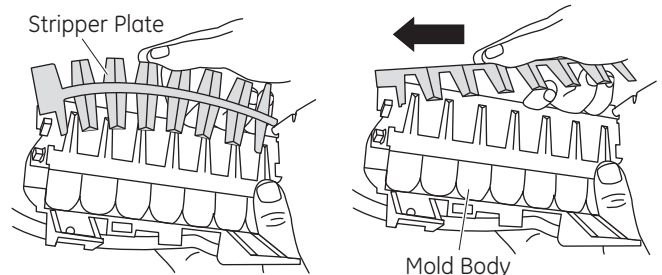
Tools Needed: Flatblade screwdriver
Phillips head screwdriver 1/4" Hex head driver

STEP 3 REMOVE FILL CUP, ICEMAKER INSERT AND PLASTIC STRIPPER PLATE

- Remove fill cup and icemaker insert from old icemaker.



- **YOU MUST REMOVE THE OLD STRIPPER AND USE ON THE NEW ICEMAKER. YOU CANNOT USE THE NEW STRIPPER.** To remove, gently pull out on the center of the plastic to disengage the right end from the slot on the housing. Push the piece off the mold body post at the opposite end. You may need to wiggle the stripper. Remove the stripper from the new icemaker the same way, and replace with the original one.



- Discard the old icemaker.

STEP 4 INSTALL FILL CUP AND ICEMAKER INSERT INTO NEW ICEMAKER

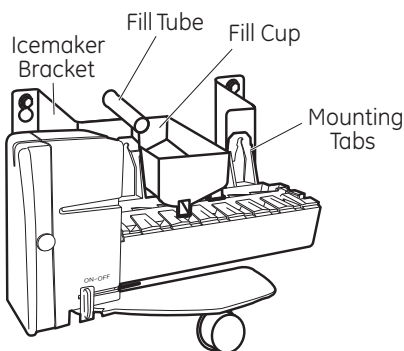
- If you received a NEW fill cup with your icemaker install the fill cup now.
- If you did not receive a new fill cup, reinstall the fill cup from the old icemaker.
- Install the icemaker insert into the new icemaker.

STEP 5 ATTACH THE ORIGINAL PLASTIC STRIPPER PLATE TO NEW ICEMAKER

- Align the hole on the original plastic stripper, with the post on the end of the icemaker. Rotate the piece towards mold body as you pull it onto the post.
- Flex the plastic outward from the middle as you align the end with the slot in the housing.
- Make certain the grooves on the inside of the stripper align with the mold body so that it fits straight.

STEP 6 MOUNT THE ICEMAKER

- Lift the icemaker up and hang it on the icemaker bracket. Make sure the fill tube goes into the fill cup opening. Secure the icemaker to the bracket with the two screws and install as shown.



(Appearance may vary)

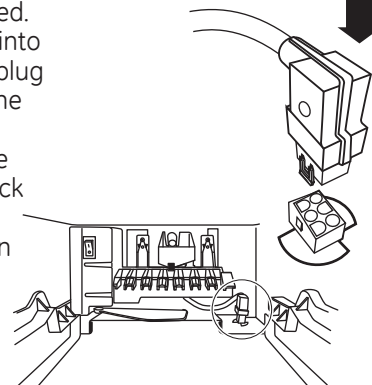
NOTE: It is critical that the fill tube is positioned into the fill cup opening.

Make Sure:

- The fill tube extends into the fill cup opening at the back of the icemaker.
- The icemaker is secured to the bracket.
- The icemaker is level side to side and front to back.

STEP 7 PLUG IN THE ICEMAKER

Insert the icemaker power cord plug into the socket, making sure that the prongs and holes are matched. Press the plug firmly into the socket. Lock the plug in place by clipping the restraints onto each side of the plug. Make sure the restraints click into place and the power cord is firmly in the socket.

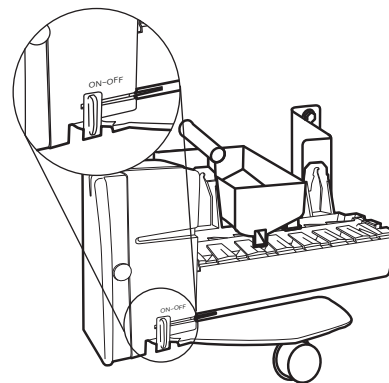


NOTE: The power cord **SHOULD** be placed in the hook on the back of the icemaker.

STEP 8 COMPLETE THE INSTALLATION

- Reconnect power to the refrigerator.
- Set the icemaker power switch to the ON position.
- Make sure that the icemaker power cord is currently plugged in.
- Replace the ice bucket and chiller shelf (if applicable). Return any items that were removed to the freezer.

It may take several hours for the freezer to reach the selected temperature and for ice production to begin.



Congratulations! You have completed the installation of your new GE electronic icemaker. If you have any further issues with the icemaker or your refrigerator, please call **1-800-GE-CARES** (1-800-432-2737) for additional help or information.

Thank you for choosing GE Appliances.

USE THESE INSTRUCTIONS FOR TOP FREEZER REFRIGERATORS ONLY

Installation Instructions

Bracket Mount Instructions WR30X10093 & WR30X10102

Questions? Call 1-800-GE-CARES (1-800-432-2737)



**DISCONNECT POWER TO THE REFRIGERATOR
BEFORE BEGINNING INSTALLATION**

Tools Needed: Flatblade screwdriver
Hex head driver
Phillips head screwdriver

Before you Begin:

Read these instructions completely and carefully.
Wait 5 minutes after the power has been disconnected before beginning the installation procedure.

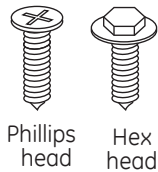
Remove items from the freezer to safely allow access for the removal of the existing icemaker and the installation of the new icemaker.

These instructions apply to top-freezer refrigerators only. For metal interior lined side-by-side refrigerators, refer to page 1. For plastic interior lined side-by-side refrigerators refer to page 3. For Monogram refrigerators, refer to page 7.

STEP 1 REMOVE THE EXISTING ICEMAKER

The icemaker will be attached to the side wall of the freezer with a Phillips head or Hex head screws.

- Using the appropriate screwdriver, loosen the mounting screws until the screw heads extend about 1/2" (13mm) from the freezer wall.

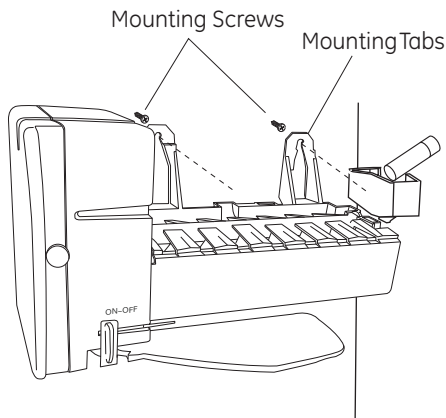


Phillips head

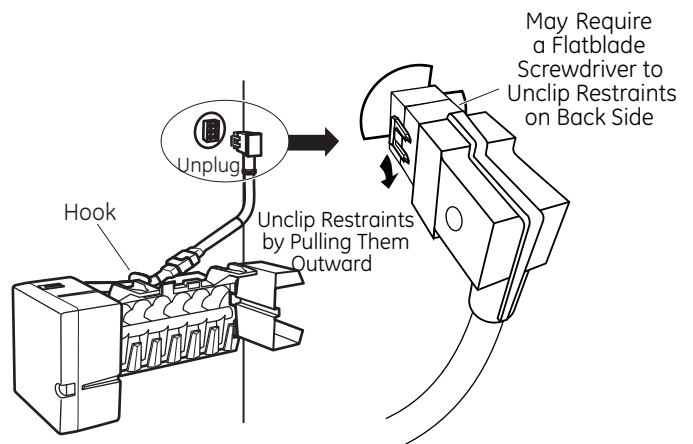
Hex head

- Slide the icemaker upwards so that the screws are in the wide part of the mounting tab. Pull the icemaker away from the side wall of the freezer.
- To unplug the icemaker, locate the restraints on each side of the plug. Unclip the restraints by pulling outward.

NOTE: Do not completely remove the screws.



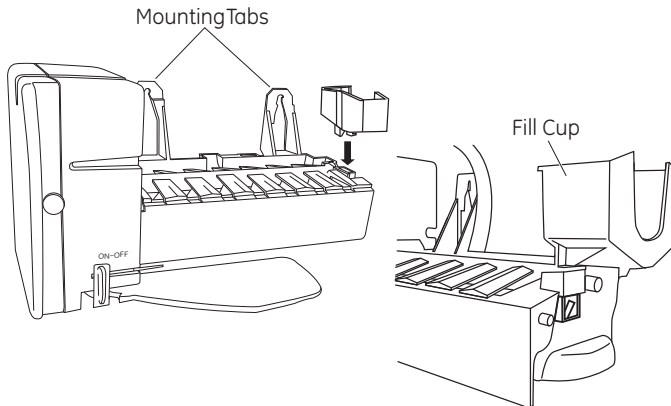
(Appearance may vary)



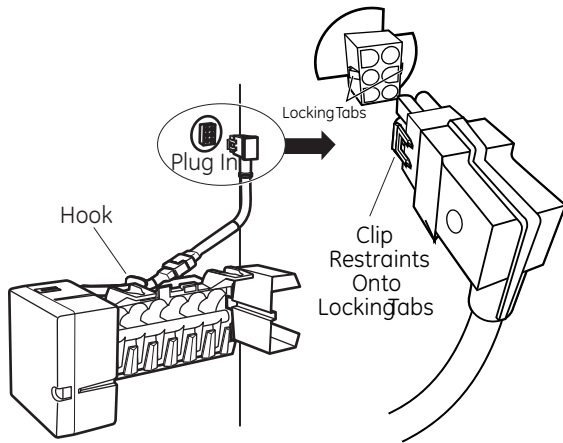
- Unplug the icemaker from the socket located on the back or side wall of the freezer.

STEP 2 INSTALL THE NEW ICEMAKER

- Assemble the fill cup to the icemaker.

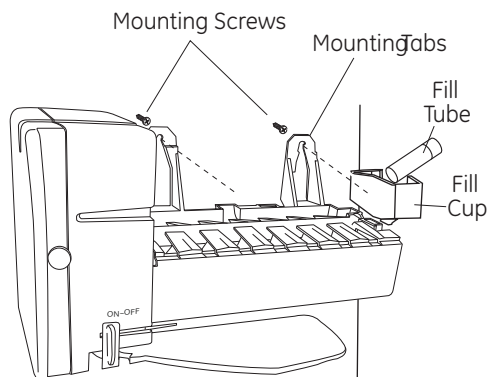


- Plug the icemaker power cord into the socket. Press firmly into place. Lock the plug in place by clipping the restraints onto each side of the plug.



NOTE: If the plug is located on the back wall of the freezer, the power cord **SHOULD NOT** be placed in the hook on the back of the icemaker.

- Position the icemaker mounting tabs over the mounting screws. **NOTE: It is critical that the fill tube is positioned in the fill cup opening.**
- Retighten the mounting screws. Make certain that the icemaker is level.

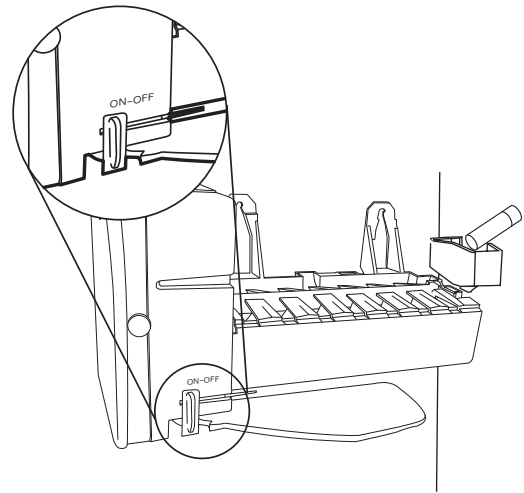


(Appearance may vary)

STEP 3 COMPLETE THE INSTALLATION

- Reconnect power to the refrigerator.
- Set the icemaker power switch to the ON position.
- Make sure that the icemaker power cord is currently plugged in.
- Replace the ice bucket in the proper location. Return any items that were previously removed from the freezer.

It may take several hours for the freezer to reach the selected temperature and for ice production to begin.



Congratulations! You have completed the installation of your new GE electronic icemaker. If you have any further issues with the icemaker or your refrigerator, please call **1-800-GE-CARES** (1-800- 432-2737) for additional help or information.

Thank you for choosing GE Appliances.

USE THESE INSTRUCTIONS FOR GE MONOGRAM SIDE-BY-SIDE REFRIGERATORS AND BOTTOM FREEZERS ONLY.

Installation Instructions

Bracket Mount Instructions WR30X10093 & WR30X10102

Questions? Call 1-800-GE-CARES (1-800-432-2737)



DISCONNECT POWER TO THE REFRIGERATOR BEFORE BEGINNING INSTALLATION

Tools Needed: Flatblade screwdriver
Hex head driver
Phillips head screwdriver

Before you Begin:

Read these instructions completely and carefully.

Wait 5 minutes after the power has been disconnected before beginning the installation procedure.

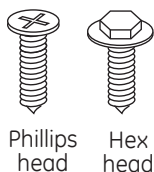
Remove items from the freezer to safely allow access for the removal of the existing icemaker and the installation of the new icemaker.

These instructions apply to GE Monogram side-by-side refrigerators and bottom freezers only. For metal interior lined side-by-side refrigerators refer to page 1. For plastic interior lined side-by-side refrigerators refer to page 3. For top-freezer refrigerators, refer to page 5.

STEP 1 REMOVE THE EXISTING ICEMAKER

The icemaker will be attached to the side wall of the freezer with a Phillips head or Hex head screws.

- Using the appropriate screwdriver, loosen the mounting screws until the screw heads extend about 1/2" (13mm) from the freezer wall.

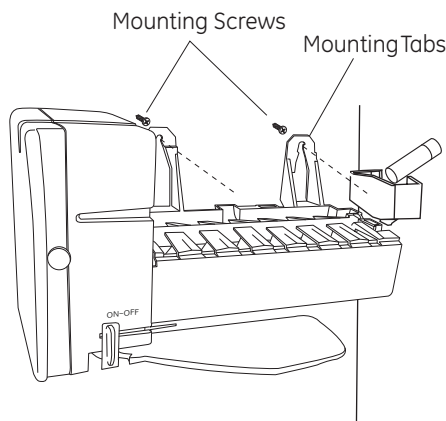


Phillips head

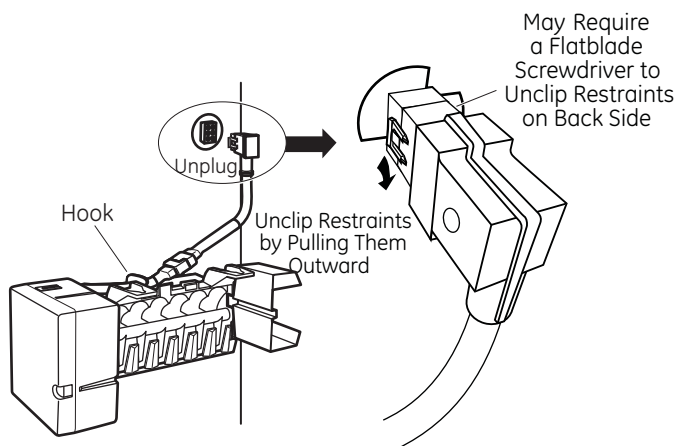
Hex head

- Slide the icemaker upwards so that the screws are in the wide part of the mounting tab. Pull the icemaker away from the side wall of the freezer.
- To unplug the icemaker, locate the restraints on each side of the plug. Unclip the restraints by pulling outward.

NOTE: Do not completely remove the screws.



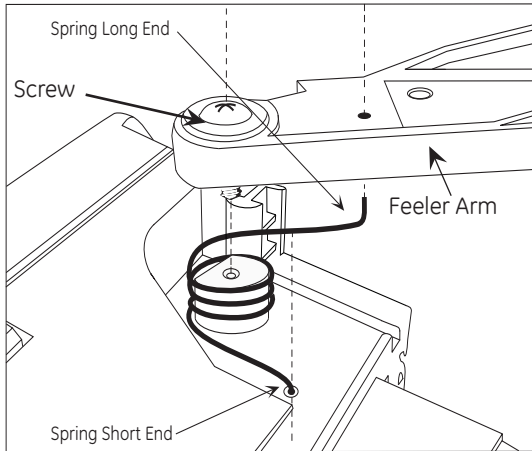
(Appearance may vary)



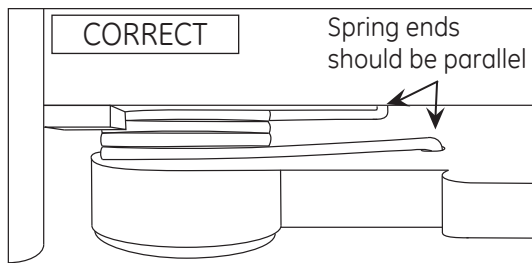
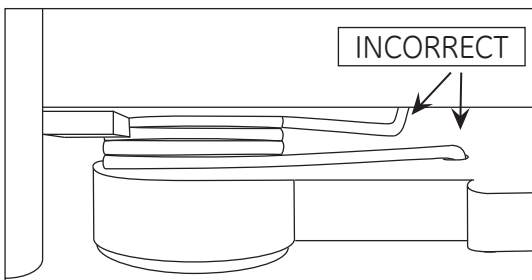
- Unplug the icemaker from the socket located on the back or side wall of the freezer.

STEP 2 REPLACE NEW ICEMAKER'S FEELER ARM WITH FEELER ARM OF OLD ICE MAKER

- Remove the feeler arm from the new icemaker and discard it. Retain the screw and spring for future use.
- Remove the feeler arm from the old ice maker and assemble it to the new icemaker using the retained spring and screw.
- When assembling the feeler arm to ice maker, insert the spring ends. The short end should be firmly inserted into the hole on ice maker body and the long end into the hole on feeler arm.



- The spring ends should be parallel to each other. The torque on the screw should be between 7 and 10 inch pound.
- Ensure the spring ends are inserted into the holes on feeler arm and ice maker, and the screw on feeler arm is tightened properly.



STEP 3 REFER TO STEP 2 ON PAGE 6

STEP 4 REFER TO STEP 3 ON PAGE 6

Congratulations! You have completed the installation of your new GE electronic icemaker. If you have any further issues with the icemaker or your refrigerator, please call **1-800-GE-CARES** (1-800- 432-2737) for additional help or information.

Thank you for choosing GE Appliances.

SPECIFICATIONS SUBJECT TO CHANGE WITHOUT NOTICE



GE Appliances & Lighting
General Electric Company
Louisville, KY 40225
GEAppliances.com