



Model WHEMB40

How to install, operate
and maintain your
Microbiological
Drinking Water Purifier

Do not return unit to store

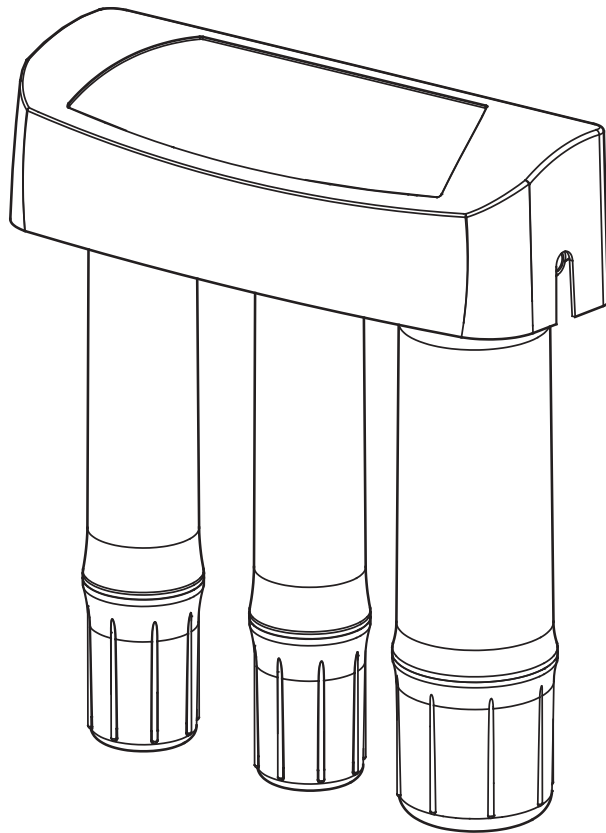
If you have any questions or concerns when installing, operating or maintaining your drinking water purifier, call our toll free number:

1-866-986-3223

Monday- Friday, 8 AM - 7 PM EST or visit

www.ecodynewatertreatment.com

When you call, please be prepared to provide the model, date code and serial number of your product, found on the rating decal, located inside the cover.



System tested and certified by NSF International
against NSF/ANSI Standards 42 & 53.
See performance data sheet for details.



Manufactured and warranted by
Ecodyne Water Systems
1890 Woodlane Drive
Woodbury, MN 55125



Printed on recycled paper

7312474 (Rev C 6/13/11)

Installation and Operation Manual

TABLE OF CONTENTS

	<u>Page</u>
What the Microbiological Drinking Water Purifier will Do	3
Before You Start	3
Specifications & Dimensions	3
Parts of the System	4
Materials & Tools Needed	4
Typical Undersink Installation	4
Installation Instructions	5-7
Step A - Install Supply Water Fitting	5
Step B - Make Hole for Filter Water Faucet	6
Step C - Install Faucet	6
Step D - Make Tubing Connections	7
Step E - Turn On Water, Check for Leaks and Rinse Carbon Fines	7
Filter Cartridges	8
Filter Cartridge Life	8
Filter Cartridge Replacement	8
Faucet Electronics & Battery Change	9
Troubleshooting the System	9
Exploded View & Parts List	10-11

WARRANTY

ONE YEAR LIMITED WARRANTY ON MICROBIOLOGICAL DRINKING WATER PURIFIER (except filter cartridges)

Warrantor: Ecodyne Water Systems, 1890 Woodlane Drive, Woodbury, MN 55125

Warrantor guarantees, to the original owner, that the Microbiological Drinking Water Purifier, when installed and maintained in accordance with the instructions, will be free from defects in materials and workmanship for a period of one (1) year from date of installation. If, within the first year, a part proves, after inspection, to be defective, Warrantor will, at its sole option, either replace or repair the part without charge except normal shipping and installation charges. Labor to maintain the equipment is not part of the warranty. Filters, which are expendable, are not covered by the warranty.

TO OBTAIN WARRANTY PARTS, SIMPLY CALL 1-866-986-3223, Monday - Friday, 8 am - 7 pm EST, for assistance. This warranty applies only while this product is in use in the United States or Canada.

General Provisions

The above warranties are effective provided the Microbiological Drinking Water Purifier is operated at water pressures not exceeding 100 psi, and at water temperatures not exceeding 100°F; provided further that the Microbiological Drinking Water Purifier is not subject to abuse, misuse, alteration, neglect, freezing, accident or negligence; and provided further that the Microbiological Drinking Water Purifier is not damaged as the result of any unusual force of nature such as, but not limited to, flood, hurricane, tornado or earthquake.

Warrantor is excused if failure to perform its warranty obligations is the result of strikes, government regulation, materials shortages, or other circumstances beyond its control.

***THERE ARE NO WARRANTIES ON THE MICROBIOLOGICAL DRINKING WATER PURIFIER BEYOND THOSE SPECIFICALLY DESCRIBED ABOVE. ALL IMPLIED WARRANTIES, INCLUDING ANY IMPLIED WARRANTY OF MERCHANTABILITY OR OF FITNESS FOR A PARTICULAR PURPOSE, ARE DISCLAIMED TO THE EXTENT THEY MIGHT EXTEND BEYOND THE ABOVE PERIODS. THE SOLE OBLIGATION OF WARRANTOR UNDER THESE WARRANTIES IS TO REPLACE OR REPAIR THE COMPONENT OR PART WHICH PROVES TO BE DEFECTIVE WITHIN THE SPECIFIED TIME PERIOD, AND WARRANTOR IS NOT LIABLE FOR CONSEQUENTIAL OR INCIDENTAL DAMAGES. NO WARRANTOR DEALER, AGENT, REPRESENTATIVE, OR OTHER PERSON IS AUTHORIZED TO EXTEND OR EXPAND THE WARRANTIES EXPRESSLY DESCRIBED ABOVE.**

Some states do not allow limitations on how long an implied warranty lasts or exclusions or limitations of incidental or consequential damage, so the limitations and exclusions in this warranty may not apply to you. This warranty gives you specific legal rights, and you may have other rights which vary from state to state. This warranty applies to consumer-owned installations only.

® Registered trademark/TM Trademark of Whirlpool, USA.
Manufactured under license by Ecodyne Water Systems, Woodbury, Minnesota.
© 2010 Whirlpool Corporation. All rights reserved.

What the Drinking Water Purifier will Do

The WHEMB40 is a water purification treatment system. This system uses a triple filter configuration to remove undesirable elements in your water. These elements may include chlorine taste and odor, particulates, lead, virus, bacteria, cysts, and many organic compounds. At the same time, the system allows the minerals found in water to remain, for great tasting water.

The WHEMB40 utilizes patented technology to ensure a safe water supply for the user. Replace all filters every 6 months or 350 gallons. The purifier technology is designed to stop flowing when its capability to protect the user has been exhausted. This one-of-a-kind failsafe technology ensures that the user will not be exposed to contaminated water.

NOTE: A performance data sheet is included listing what the system will reduce from the water supply. See the performance data sheet for individual contaminants and microbial reduction performance.

The drinking water system fits under the kitchen or bathroom sink. However, you can install it where it is most convenient. You need a COLD water supply pipe within a few feet (6 feet of tubing is included). You can purchase longer lengths of tubing if needed to reach more distant points. Be sure tubing is acceptable for use on potable water supplies.

Before You Start

- ▼ Read all steps and guides carefully before installing and using your microbiological drinking water purifier. Follow all steps exactly to correctly install. Reading this manual will also help you to get all the benefits from the microbiological drinking water purifier.
- ▼ Do not use for the treatment of water that is visually contaminated (cloudy) or has an obvious contamination source, such as contamination by raw sewage.
- ▼ All plumbing should be done in accordance with local codes and requirements. In Massachusetts, plumbing code 248 CMR 3.00 and 10.00 shall be adhered to. Consult with your licensed plumber.
- ▼ The microbiological drinking water purifier works on water pressures of 30 psi (minimum) to 100 psi (maximum). If your house water pressure is over the maximum, install a pressure reducing valve in the water supply pipe to the filter system.
- ▼ Do not install the microbiological drinking water purifier outside, or in extreme hot or cold temperatures. Temperature of the water supply to the undersink drinking water filter system must be between 40°F and 100°F. Do not install on hot water.

Specifications & Dimensions

Supply Water Pressure 30 - 100 psi
Min. - Max. (207 - 689 kPa)

Supply Water Temperature 40 - 100 °F
Min. - Max. (4 - 38 °C)

Inlet - Outlet 3/8" quick connect fittings
and tubing included

Maximum Supply Water Iron,
Manganese & Hydrogen Sulfide 0

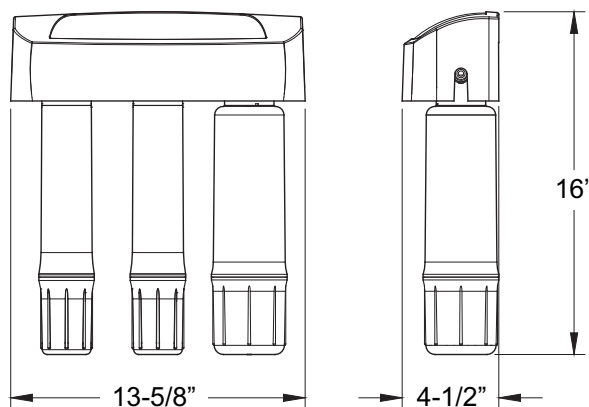


FIG. 1

Questions? Call Toll Free 1-866-986-3223 Monday- Friday, 8 AM - 7 PM EST
or visit www.ecodynewatertreatment.com

When you call, please be prepared to provide the model, date code and serial number, found on the rating decal, located inside the cover.

Parts of the System

- Filter system assembly
- Water supply fitting
- Filtered water faucet for sink or countertop mounting
- Color coded 3/8" tubing to make all needed connections
- 3/8" tubing bends

Materials and Tools Needed

NOTE: Gather the required tools before starting installation. Read and follow the instructions provided with any tools listed here.

- Slotted and Phillips screwdrivers
- Pliers and adjustable jaw wrench
- Tubing cutter
- Electric drill and 1-1/4" drill bit if mounting hole is needed for the faucet

IMPORTANT: To avoid damaging the sink, consult a qualified plumber or installer for drilling procedures in porcelain or stainless steel.

Typical Undersink Installation

Locate the water filter housing on the cold water supply pipe, under the kitchen and/or bathroom sink, to filter the cold drinking water. Refer to the following drawing.

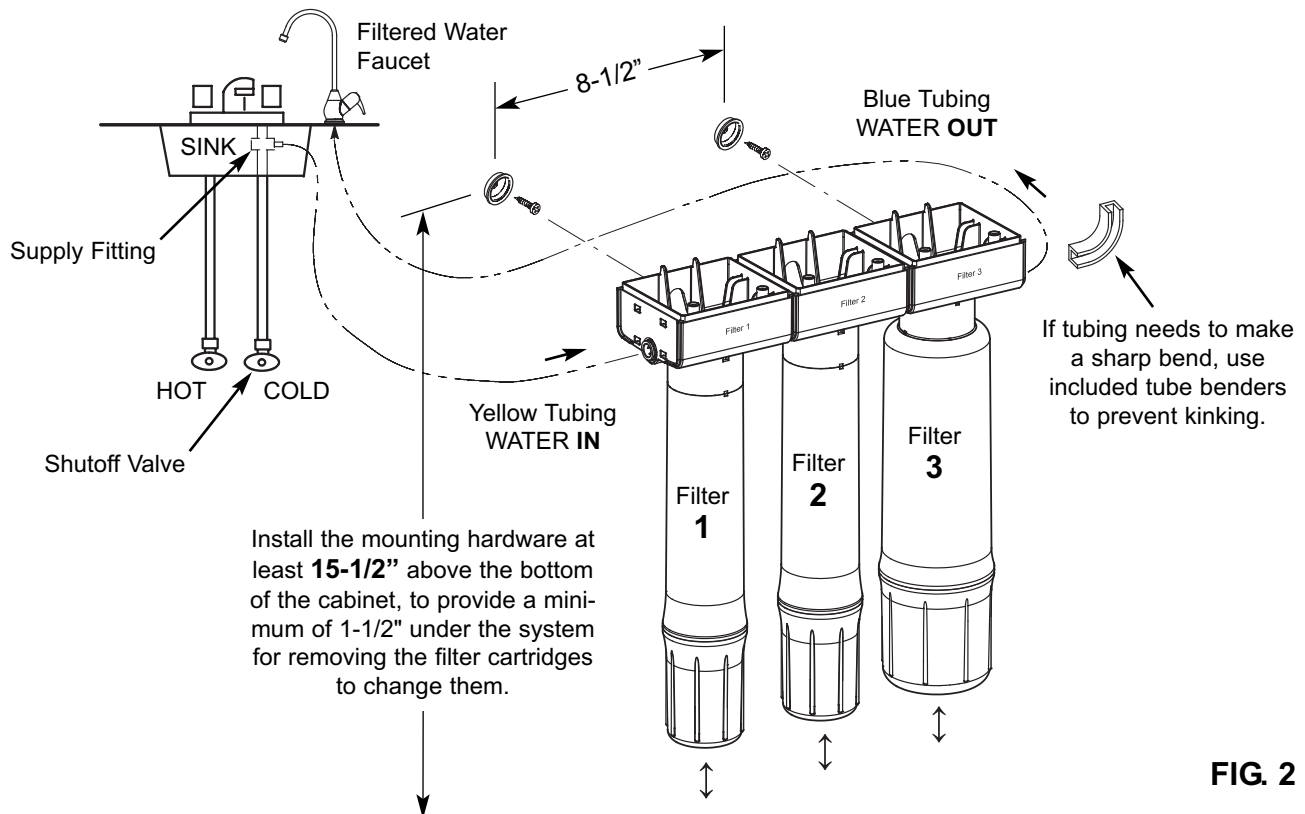


FIG. 2

Installation Instructions

Step A - Install Supply Water Fitting

Check and comply with local plumbing codes as you plan, then install a cold feed (supply) water fitting. The fitting must provide a leak-tight connection to the water filter 3/8" tubing. A typical connection using the included water supply fitting is shown in Figure 3A. An optional connection using standard plumbing fittings (not included) is shown in Figure 3B.

Cold Water Supply Fitting

1. Close the water shut off valve that is immediately before supply fitting and open faucets to drain water from the sink cold water pipe.
2. Remove nut that connects the cold water faucet to cold water plumbing.
3. Thread water supply fitting onto pipe and reconnect nut to bottom of fitting.

Optional Pipe Fittings (compression type shown)

NOTE: Be sure to turn off the water supply and open a faucet to drain the pipe.

Complying with plumbing codes, install a fitting on the cold water pipe to adapt 3/8" OD tubing. A typical connection is shown in Figure 3B. If threaded fittings are used, be sure to use pipe joint compound or thread sealing tape on outside threads.

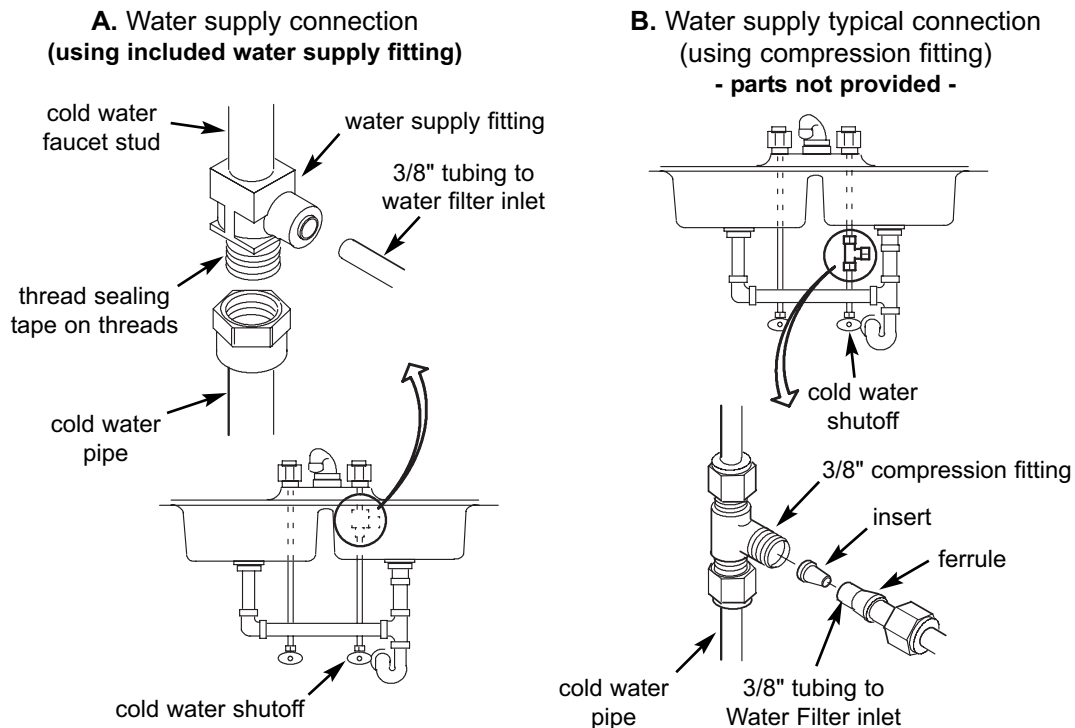


FIG. 3

Step B - Make Hole For Filtered Water Faucet

IMPORTANT: To avoid damaging the sink, consult a qualified plumber or installer for drilling procedures in porcelain, stainless steel or granite. Special drill bits are made for this.

1. Select one of the following places to install the faucet. Be sure there is room underneath so you can make the needed connections.
 - In an existing sink spray attachment hole.
 - Drill a hole in the sink top.
 - Drill a hole in the countertop next to the sink.
2. If drilling is needed make a 1-1/4" dia. (minimum) hole for the faucet.

Installation Instructions

Step C - Install Faucet

1. Feed the 3/8" tubing that is attached to the faucet through the mounting hole. Slide the toggle bolts through the mounting hole. Tighten the screws to secure the base flat on the mounting surface. Do not overtighten.
2. Move the faucet down onto the base. Turn 1/4 clockwise to attach the faucet to the base.
3. Install battery in base. See "Battery Change" section for instructions.

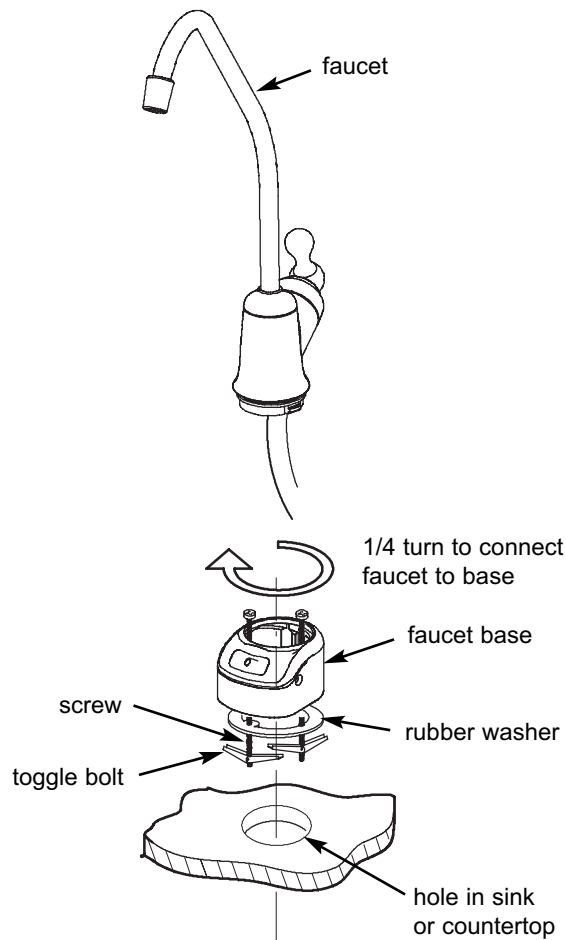


FIG. 4

Step D - Make Tubing Connections

NOTE: Remove protective foam plugs before connecting tubes (See Fig. 5). Discard foam plugs.

1. Allowing some slack, measure and cut a length of 3/8" tubing to connect between the supply fitting and the filter system inlet (See Figure 2). Cut the ends of the tubing square.
2. Insert tubing all the way into the supply fitting and inlet fitting. Pull on the tubing to be sure that it's held firmly in the fittings.
3. Repeat steps 1 and 2 to connect tubing from the faucet to the filter system outlet (See Figure 2).

Tubing Connection (all push-in fitting locations):

This system includes push-in fittings for quick tubing connections. If working with the fittings, do the following.

continued on the next page

Installation Instructions

continued from the previous page

Connect Tubing:

1. Use a sharp cutter or knife to cut the end of tubing square.
 2. Inspect the end (about 1") of the tubing to be sure there are no nicks, scratches or other rough spots. If needed cut the tubing again.
 3. Push tubing through the collet and all the way into fitting. Full engagement is 3/4" length of tube into the fitting.
- If tubing other than supplied with the system is used, be sure it is of high quality, exact size and roundness with a smooth surface.

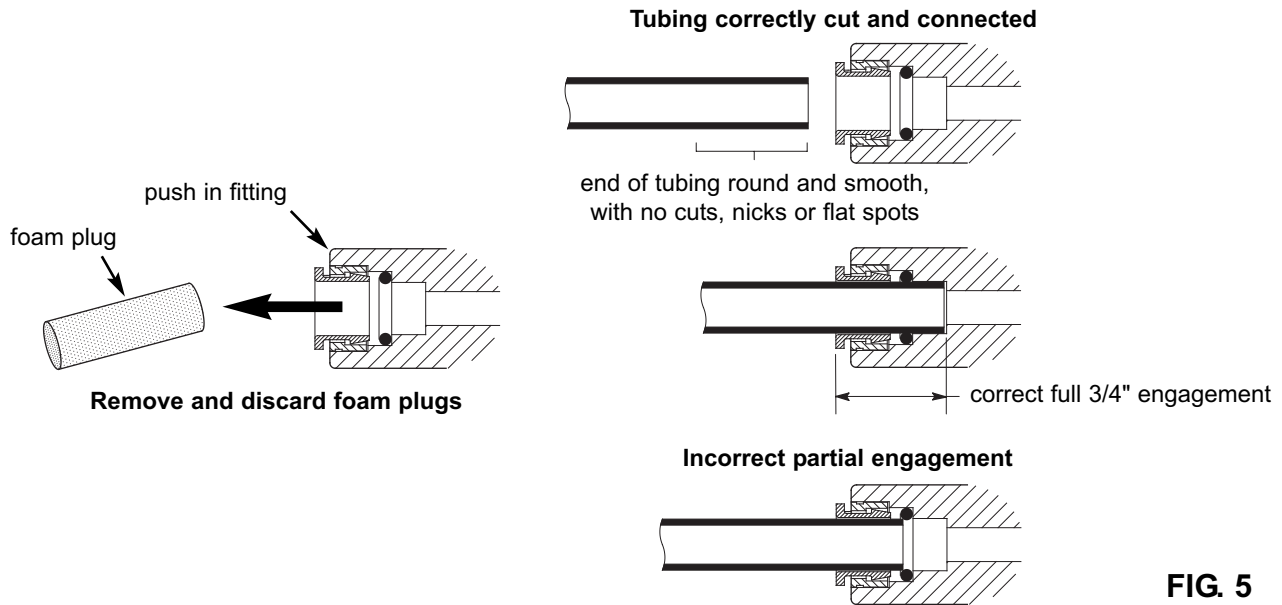


FIG. 5

To Disconnect Tubing:

1. Push the collet inward and hold with a finger while pulling the tubing out.

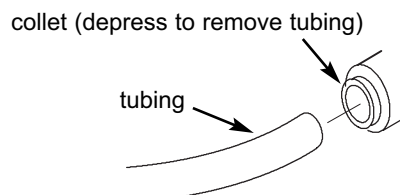


FIG. 6

Step E - Turn On Water, Check for Leaks and Rinse Carbon Fines

1. Open the shutoff valve(s) that you closed at the beginning of this installation.
2. Open the sink faucet and filtered water faucet to purge air from the system. When the water runs smooth, with no bubbles or spurting, close faucets and check installation for leaks.
3. Open the filtered water faucet and let water run for 10 minutes to rinse out carbon fines.

Questions? Call Toll Free 1-866-986-3223 Monday- Friday, 8 AM - 7 PM EST
or visit www.ecodynewatertreatment.com

When you call, please be prepared to provide the model, date code and serial number, found on the rating decal, located inside the cover.

Filter Cartridges

Filter Cartridge Life

Taste and Odor, and Microbiological Purifying Cartridges: Taste and odor, and microbiological purifying cartridges contain activated carbon. When new, open the filtered water faucet and allow fine, carbon particles to purge from the cartridges. Flush for 10 minutes. It is recommended to **replace filter cartridges every six months or 350 gallons** of use. There are several variables that determine how long a cartridge will last. These include:

1. How much water you use, and
2. How much sediment, taste and/or odor, or other unwanted substance, is in the water.

Use the following information as a guide. However, no matter which type of cartridge you are using, you will know it is time to replace them when you first notice the return of the unwanted sediment, taste and/or odor in your water, or when the flow diminishes or stops.

Whirlpool Microbiological Drinking Water Purifier system model WHEMB40 with replacement element pack WHEMBF0 conforms to NSF/ANSI 42 and 53 for the specific performance claims as verified and substantiated by test data. The rated capacity for this system is 350 gallons (1325 liters) at a rated service flow of 0.74 gallons per minute.

State of Wisconsin Required Statement: Do not use in Wisconsin with water that is microbiologically unsafe, or of unknown quality, without adequate point of entry (i.e. whole house) disinfection before this device.

**Register for reminders to change filters
at www.ecodynewatertreatment.com**

Filter Cartridge Replacement

1. Turn filter cartridge to the left to remove cartridges from the filter heads.
2. Dispose of the cartridges in a proper manner.
3. Install new cartridges. Turn cartridges to the right to re-attach to the filter heads.

Taste and Odor, and Microbiological Purifying Cartridges: Taste and odor, and microbiological purifying cartridges contain activated carbon, a black powder. When new, open the filtered water faucet and allow fine, carbon particles to purge from the cartridges. Flush for 10 minutes.

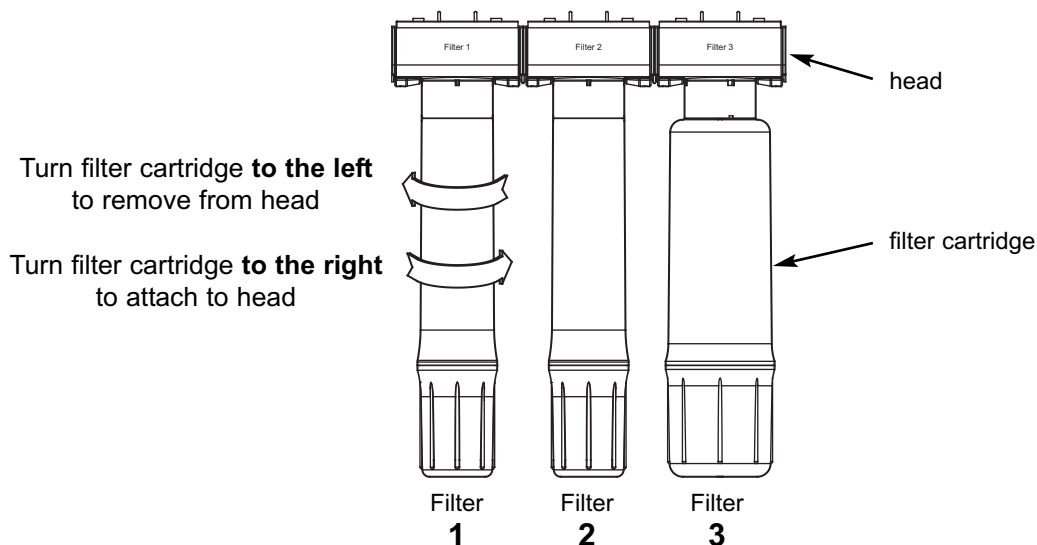


FIG. 7

Faucet Electronics

Faucet Timer

Inside the faucet base is a battery operated 6 month timer.

An amber LED indicator is also located in the front of the faucet base. This LED will flash continuously after 6 months have passed. This indicates that it is time to replace the battery and filters.

Battery Change

To change the battery, complete the following steps.

1. Loosen the screw on the right side of the faucet base.
2. Press the battery housing upwards from faucet base until it releases from the base.
3. Replace the battery (CR 2032 or equivalent). Place battery into the holder with the positive (+) side facing the back of the holder.

NOTE: Recycle or properly dispose of the old battery.

4. When the battery is first replaced the light in the base will flash six times and turn off. This indicates the battery is fully charged. After the six flashes the timer enters the 6 month time cycle. If it repeatedly flashes two times, the battery is weak and needs to be replaced.
5. Re-install the battery housing and firmly tighten the mounting screw.

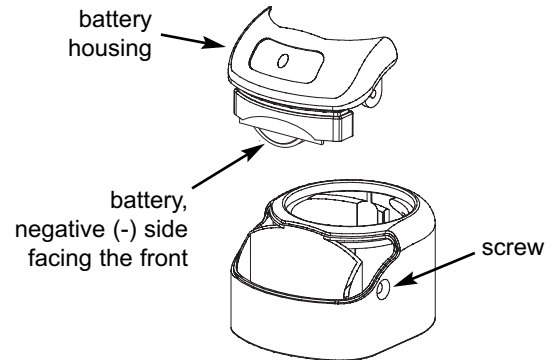


FIG. 8

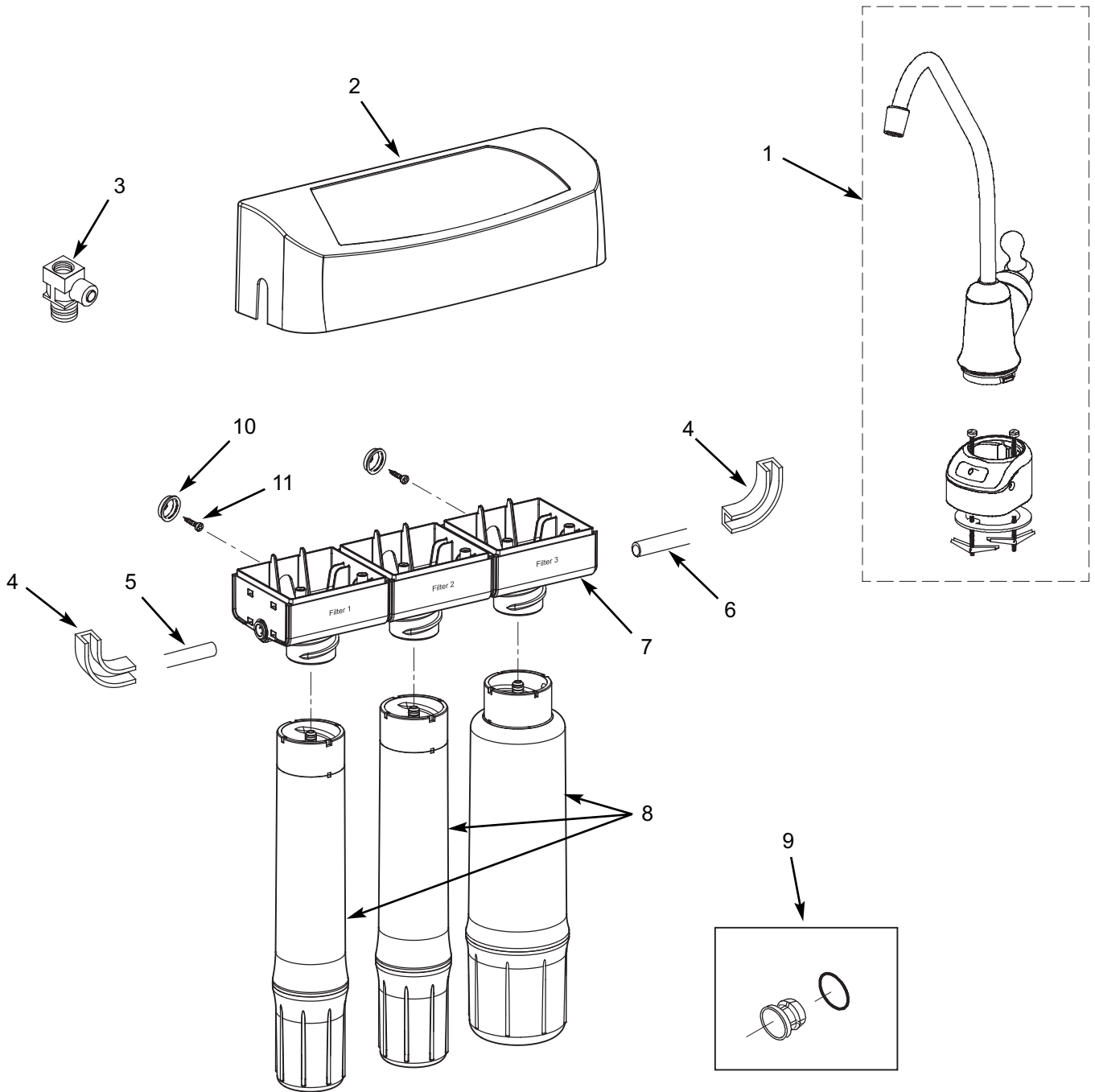
Troubleshooting the System

Problem: No water or decreased water flow.	
Cause: Filter 1 is clogged.	Correction: Replace the filter 1 cartridge.
Cause: Flow through the microbiological purifying filter will decrease and eventually clog when exposed to an excess of microbiological loading materials in the water. This failsafe feature reduces the chance of product use beyond its intended life, and will shut down the filter when it is exposed to contaminated water.	Correction: Replace all filter cartridges.
Problem: Taste and/or Odor.	
Cause: Filter cartridges exhausted.	Correction: Replace all filter cartridges.
Cause: System contaminated.	Correction: Sanitize system. Call 1-866-986-3223 for instructions.
Problem: Faucet LED indicator light does not function after battery change.	
Cause: Battery dead.	Correction: Replace with new battery.
Cause: Battery installed incorrectly.	Correction: Install battery correctly.
Problem: Water leaks at push connect fittings.	
Cause: Tubing not pushed in all the way.	Correction: Push tubing in all the way into fittings.
Cause: Tubing not cut square.	Correction: Cut tubing square.
Cause: Tubing nicked.	Correction: Remove nicked portion, reinsert tubing into fitting.
Cause: Outer tubing surface not smooth.	Correction: Remove rough portion, reinsert tubing into fitting.

Need help troubleshooting?

Call toll free 1-866-986-3223, Monday - Friday, 8 am - 7 pm EST, or visit www.ecodynewatertreatment.com

Exploded View



Questions? Call Toll Free 1-866-986-3223 Monday- Friday, 8 AM - 7 PM EST
or visit www.ecodynewatertreatment.com

When you call, please be prepared to provide the model, date code and serial number,
found on the rating decal, located inside the cover.

Parts List

Key No.	Part No.	Description
1	7292674	Faucet, Chrome, with base & electronics
2	7315121	Cover (order decal below)
-	7313585	Decal, Cover
3	7228536	Tee, Feed Adaptor
4	7273565	Flow Bend, 3/8" (2 req'd)
5	7208057	Tubing, 3/8" OD x 72" long, Yellow
6	7207962	Tubing, 3/8" OD x 72" long, Blue
7	7313682	Repl. Head Assembly
8	WHEMBF0	Repl. Filter Cartridges, 1 each of Sediment, LTO (Lead, Taste & Odor) & Microbiological Purifying *
9	7281013	Push-In Fitting Kit, 3/8"
10	9041700	Hanger Washer (2 req.)
11	9006062	Screw (2 req.)
■	7312474	Owner's Manual

* Please purchase replacement cartridges from the retailer where you bought your drinking water system.

■ Not illustrated.

To order repair parts call toll free 1-866-986-3223, Monday - Friday, 8 am - 7 pm EST.

Manufactured and warranted by
Ecodyne Water Systems
1890 Woodlane Drive
Woodbury, MN 55125